

DVOSTRUKE ZUPČASTE PUMPNE STANICE TIP DPS ZOL

Double gear pump units type DPS ZOL



OPIS

Dvostruka zupčasta pumpna stanica je sklop sastavljen od:

- pumpnih agregata sa zupčastim pumpama tipa ZOL;
- dvostrukog filtera tipa PDL (MPD);
- kuglastih ventila na usisnom i tlačnom cjevovodu;
- nepovratnih ventila ugrađenih na tlačnoj strani pumpe;
- manometra na tlačnom i manovakuumetra na usisnom cjevovodu;
- prekotlačnog ventila;
- postolja.

Filter štiti pumpu od mehaničkih nečistoća. Finoća mrežice se bira prema svojstvima radnog medija.

Prilikom rada sa medijem koji se mora zagrijavati, u filter mora biti ugrađen odgovarajući grijač (parni ili elektro), koji progrijava filter prije hladnog starta.

Prekotlačni ventil štiti pumpe i instalaciju od preopterećenja i podešava se na tlak 10 - 20% veći od max. radnog tlaka.

Višak medija se preko povratnog voda vraća u rezervoar.

DESCRIPTION

Double pump unit is consisted of:

- pump units with gear pumps type ZOL;
- double filter type PDL;
- ball valves in suction and delivery line;
- check valves in delivery line;
- mano- vacuum gauge in suction line, and pressure gauge in delivery line;
- safety valve;
- base plate.

Filter protects pump from mechanical impurities. Mesh finness is selected according to working medium properties.

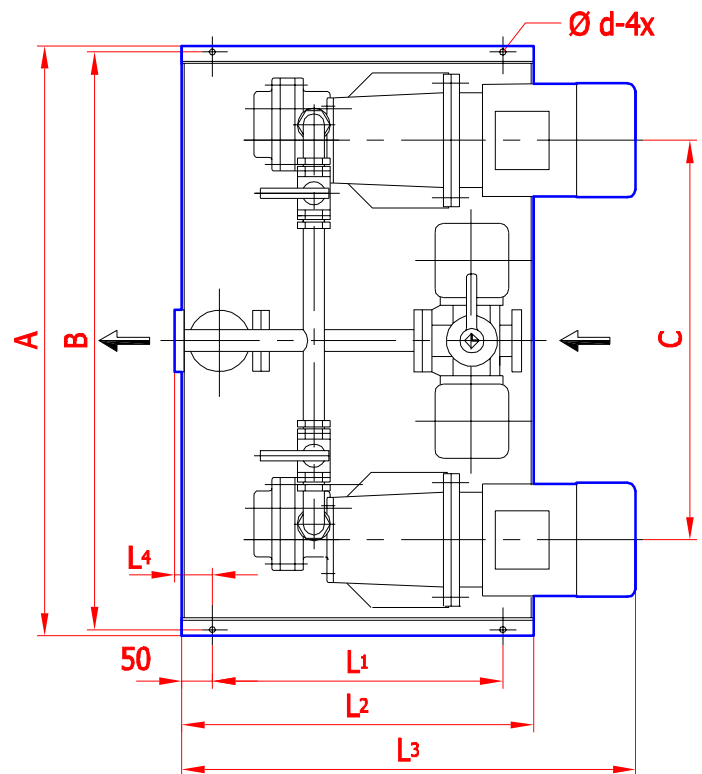
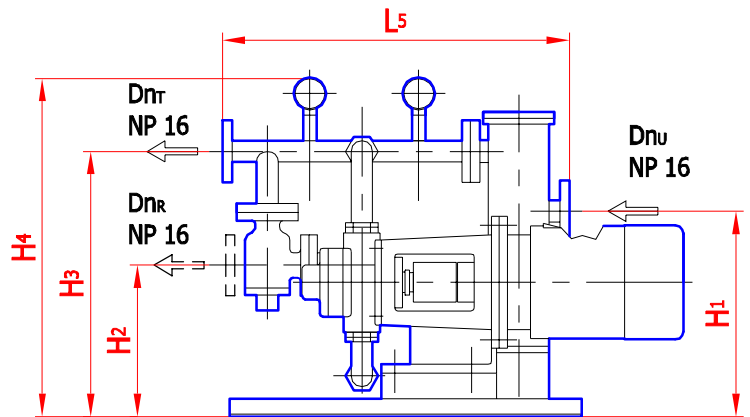
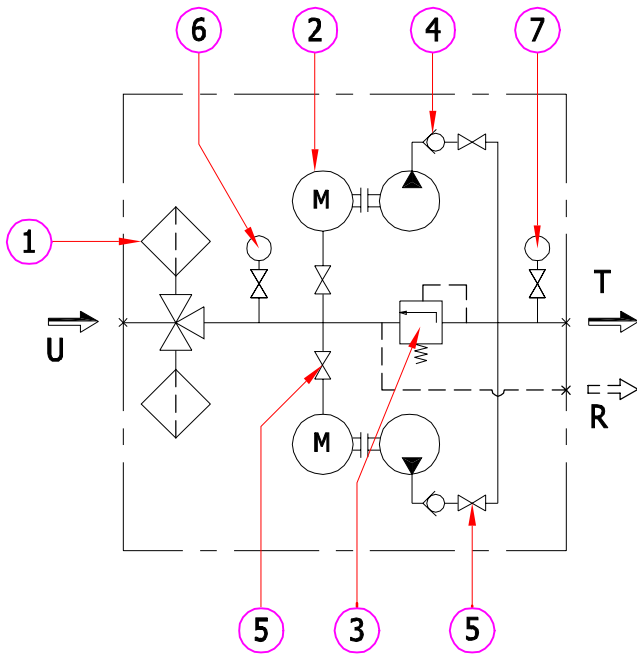
When pumping high viscous fluids wich should be heated before pumping, filter should be equipped with electrical or steam heater wich heats up residual fluid before cold start.

Safety valve protect pump and installation from overpressure and is normally adjusted to pressure 10 - 20% higher than working pressure. Fluid surplus is returned back to tank through return pipe line.

mpd TVORNICA PUMPI d.d.

43500 Daruvar, P. Preradovića 73, p.p. 66, HRVATSKA

Tel.: +385 (0)43 331 - 251, 331 - 787, Fax : +385 (0)43 331 - 191, e-mail: mpd-pumpe@inet.hr



- 1 - DVOSTRUKI FILTER / Double filter
- 2 - AGREGAT ZUPČASTE PUMPE / Gear pump unit
- 3 - SIGURNOSNI VENTIL / Safety valve
- 4 - NEPOVRATNI VENTIL / Check valve
- 5 - KUGLASTI VENTIL / Ball valve
- 6 - VAKUUMMETAR SA PRIKLJUČKOM / Vacuum gauge with connection
- 7 - MANOMETAR SA PRIKLJUČKOM / Manometer with connection
- U - PRIKLJUČAK NA USISNI VOD / Connection to the suction line
- T - PRIKLJUČAK NA TLAČNI VOD / Connection to the pressure line
- R - PRIKLJUČAK NA POVRATNI VOD / Connection to the return line

TIP Type	A	B	C	L ₁	L ₂	L ₃	L ₄	L ₅	H ₁	H ₂	H ₃	H ₄	Ø d	PRIRUBNICE/Flanges *			MASA Mass kg	
														USISNA Suction	TLAČNA Pressure	POVRAT. Return		
DPS ZOL-3						538												138
DPS ZOL-5	950	910	650	350	450	538	70	430	391	320	520	660	14	DN25	DN15	G 1/2	146	
DPS ZOL-8						566												150
DPS ZOL-12						728												219
DPS ZOL-20	1050	1010	700	400	500	777	160	590	391	350	550	603	14	DN32	DN25	DN25	221	
DPS ZOL-32						797												247
DPS ZOL-50						916												567
DPS ZOL-80	1444	1410	950	650	650	916	50	605	365	380	580	730	14	DN50	DN40	DN25	587	
DPS ZOL-125						1028												603

* DIMENZIJE PREMA DIN 2501 / NP16
Acc. to DIN 2501 / NP16