

## Strainers type PY

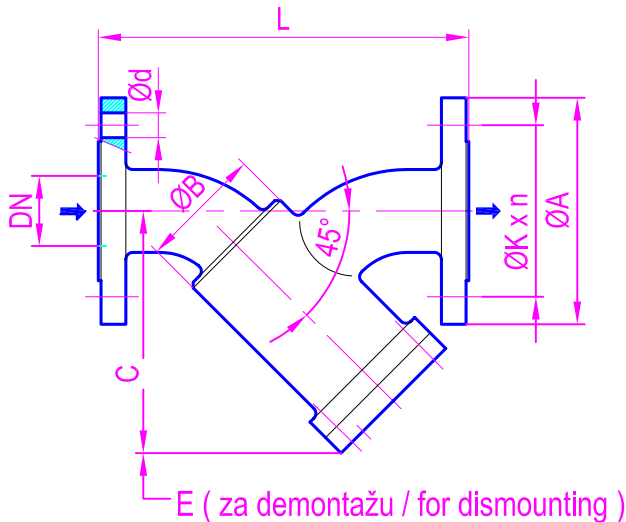
### Opis i primjena

Koriste se za grubu zaštitu pumpi, mjeraca protoka, regulatora i sl. od mehaničkih čestica.

Sastoji se iz komore u koju je ugrađen filterski cilindar, ugrađuje se u cjevovod na prikladnom mjestu, tako da se filter lako i brzo čisti.

### Radne karakteristike:

Protok ..... prema profilu cjevovoda ;  
Radni tlak..... do 16 bar, \* do 40 bar ;  
Finoća filtracije..... 0.5 do 5 mm ;  
Radna temperatura..... standardno do 200 °C ;  
Materijali..... ugljični čelik / nerđ. čelik.



### Description and application

PY strainers are used for protection of pumps, flow-meters, regulators etc. from mechanical impurities.

It is consisted from chamber with installed filtrating cylinder / cartridge. It is intended for instalation in pipeline, on suitable place for easy and fast cleaning.

### Working characteristic:

Flow..... according to pipe size ;  
Working pressure..... up to 16 bar, signed with\* up to 40 bar ;  
Filtrating fineness..... from 0,5 up to 5 mm ;  
Working temperature..... standardly up to 200 °C ;  
Materials..... carbon steel / stainless steel.

Tip filtera Filter type	Mjere / Dimensions ( mm )										Masa kg Mass
	DN	ØA	ØB	C	E	G	ØK	L	Ød	n	
PY-15.10*	15	95	60.3	110	80	G1/4	65	220	14	4	3
PY-20.10*	20	105	60.3	110	80	G1/4	75	220	14	4	4
PY-25.10*	25	115	76.1	140	100	G1/4	85	220	14	4	4.5
PY-32.10*	32	140	76.1	150	100	G1/4	100	220	18	4	5
PY-40.10*	40	150	88.9	180	120	G1/4	110	270	18	4	12
PY-50.10*	50	165	88.9	180	120	G1/4	125	270	18	4	13
PY-65.10	65	185	114.3	210	150	G1/4	145	320	18	4	15
PY-80.10*	80	200	114.3	250	170	G1/4	160	320	18	8	17
PY-100.10	100	220	139.7	290	170	G1/4	180	375	18	8	24
PY-125.10	125	250	168.3	350	190	G1/2	210	440	18	8	38
P-150.10	150	285	193.7	405	200	G1/2	240	500	22	8	46
PY-200.10	200	340	323.9	580	220	G1/2	295	640	22	12	100
PY-250.10	250	405	355.6	670	330	G1/2	355	875	26	12	163
PY-300.10	300	460	457	720	380	G1/2	410	965	26	12	243

## Filters type FPU

### Opis i primjena

Namjenjeni su za zaštitu pumpi, mjeraca protoka, regulatora i sl. Sastoje se iz komore u koju je ugrađen filterski elemenat, koji se sastoji od noseće strukture i nerđajuće tkanine ili filterskog papira. Ugrađuje se u cjevovod na prikladnom mjestu, tako da se filter lako i brzo čisti.

### Radne karakteristike:

Protok ..... prema profilu cjevovoda ;  
Radni tlak..... do 16 bar ;  
Finoća filtracije..... 0,03 do 1,4mm ;  
Radna temperatura..... standardno do 120 °C ;  
Materijali..... uglj, čelik, nerđ. čelik, Al legura.

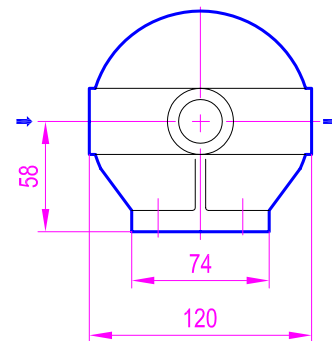
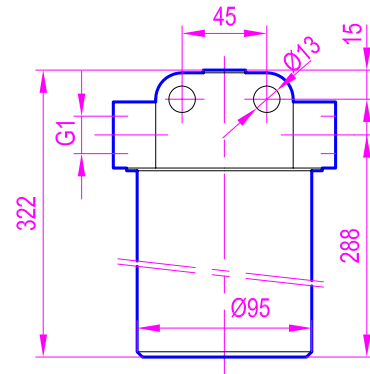


### Description and application

FPU strainers are used for protection of pumps, flow meters, regulators etc. from mechanical impurities. It is consisted from chamber with installed filtrating insert / cartridge made of supporting perforated plate and stainless steel filtering screen or filtering paper. It is intended for instalation in pipeline, on suitable place for easy and fast cleaning.

### Working characteristics:

Flow.....according to pipe size ;  
Working pressure..... up to 16 bar ;  
Filtrating fineness..... from 0.03 up to 1.4 mm ;  
Working temperature..... standardly up to 120°C ;  
Materials..... carb. steel, Al alloy, stainless steel.

**FPU - 22.03****FPU - 12MG**