

GRUBI FILTERI TIP A PY

Strainers type PY

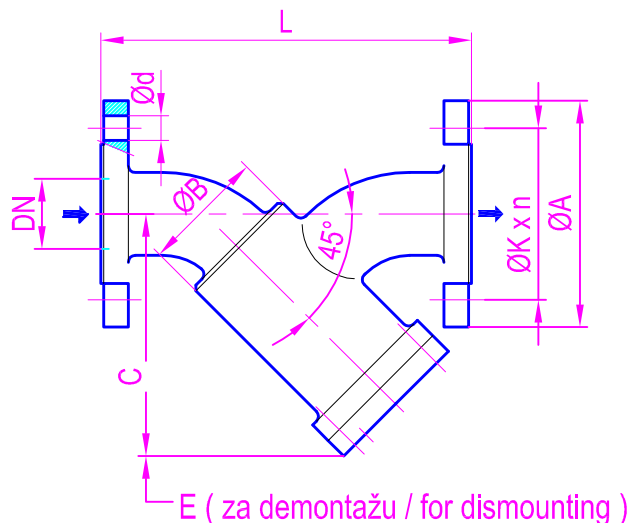
Opis i primjena

Koriste se za grubu zaštitu pumpi, mjerača protoka, regulatora i sl. od mehaničkih čestica.

Sastoji se iz komore u koju je ugrađen filterski cilindar, ugrađuje se u cjevovod na prikladnom mjestu, tako da se filter lako i brzo čisti.

Radne karakteristike:

Protok prema profilu cjevovoda ;
 Radni tlak do 16 bar, * do 40 bar ;
 Finoća filtracije 0.5 do 5 mm ;
 Radna temperatura standardno do 200 °C ;
 Materijali ugljični čelik / nerđ. čelik.



Description and application

PY strainers are used for protection of pumps, flow-meters, regulators etc. from mechanical impurities.

It is consisted from chamber with installed filtrating cylinder / cartridge. It is intended for instalation in pipeline, on suitable place for easy and fast cleaning.

Working characteristic:

Flow according to pipe size ;
 Working pressure up to 16 bar, signed with* up to 40 bar ;
 Filtrating fineness from 0,5 up to 5 mm ;
 Working temperature standardly up to 200 °C ;
 Materials carbon steel / stainless steel.

Tip filtera Filter type	Mjere / Dimensions (mm)										Masa kg Mass
	DN	ØA	ØB	C	E	G	ØK	L	Ød	n	
PY-15.10*	15	95	60.3	110	80	G1/4	65	220	14	4	3
PY-20.10*	20	105	60.3	110	80	G1/4	75	220	14	4	4
PY-25.10*	25	115	76.1	140	100	G1/4	85	220	14	4	4.5
PY-32.10*	32	140	76.1	150	100	G1/4	100	220	18	4	5
PY-40.10*	40	150	88.9	180	120	G1/4	110	270	18	4	12
PY-50.10*	50	165	88.9	180	120	G1/4	125	270	18	4	13
PY-65.10	65	185	114.3	210	150	G1/4	145	320	18	4	15
PY-80.10*	80	200	114.3	250	170	G1/4	160	320	18	8	17
PY-100.10	100	220	139.7	290	170	G1/4	180	375	18	8	24
PY-125.10	125	250	168.3	350	190	G1/2	210	440	18	8	38
P-150.10	150	285	193.7	405	200	G1/2	240	500	22	8	46
PY-200.10	200	340	323.9	580	220	G1/2	295	640	22	12	100
PY-250.10	250	405	355.6	670	330	G1/2	355	875	26	12	163
PY-300.10	300	460	457	720	380	G1/2	410	965	26	12	243

FILTERI TIP A FPU

Filters type FPU

Opis i primjena

Namjenjeni su za zaštitu pumpi, mjerača protoka, regulatora i sl. Sastoje se iz komore u koju je ugrađen filterski elemenat, koji se sastoji od noseće strukture i nerđajuće tkanine ili filterskog papira. Ugrađuje se u cjevovod na prikladnom mjestu, tako da se filter lako i brzo čisti.

Radne karakteristike:

Protok prema profilu cjevovoda ;
 Radni tlak do 16 bar ;
 Finoća filtracije 0,03 do 1,4mm ;
 Radna temperatura standardno do 120 °C ;
 Materijali uglj. čelik, nerđ. čelik, Al legura.



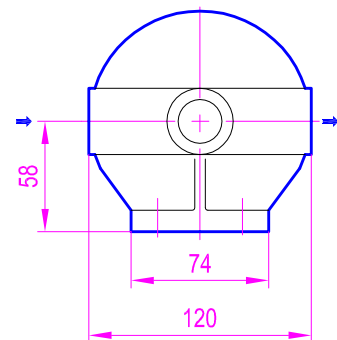
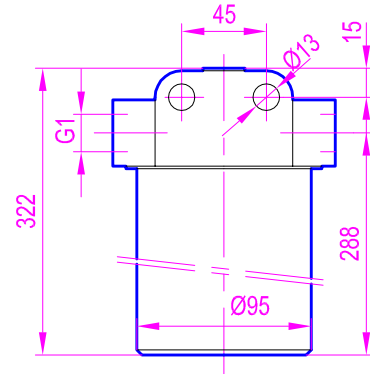
Description and application

FPU strainers are used for protection of pumps, flow meters, regulators etc. from mechanical impurities. It is consisted from chamber with installed filtrating insert / cartridge made of supporting perforated plate and stainless steel filtering screen or filtering paper. It is intended for installation in pipeline, on suitable place for easy and fast cleaning.

Working characteristics:

Flow according to pipe size ;
 Working pressure up to 16 bar ;
 Filtrating fineness from 0.03 up to 1.4 mm ;
 Working temperature standardly up to 120°C ;
 Materials carb. steel, Al alloy, stainless steel.

FPU - 22.03



FPU - 12MG

