

# ZUPČASTE PUMPE TIP PZG

## Gear pumps type PZG



---

**mpd TVORNICA PUMPI d.d.**

43500 Daruvar, P. Preradovića 73, p.p. 66, HRVATSKA

Tel.: +385 (0)43 331 - 251, 331 - 787, Fax : +385 (0)43 331 - 191, e-mail: [mpd-pumpe@inet.hr](mailto:mpd-pumpe@inet.hr)

Zupčaste pumpe tipa PZG su horizontalne izvedbe, sa zupčanicima sa vanjskim ozubljenjem. Pogonska i gonjena osovina su uležištene u klizne ležajeve. Koriste se za pumpanje neagresivnih, samopodmazivih medija, koji ne sadrže krupnije nečistoće. Podesne su za medije koji se moraju grijati (mazut, bitumen,...). Komore za grijanje se nalaze u bočnim poklopcima. Zagrijavanje se može vršiti sa vodenom parom, vrućom vodom ili termičkim uljem.

Pumpe imaju ugrađen ventil sigurnosti podešen na 1.2x veći tlak od radnog.

Pumpe se pogone direktno sa el. motorom ili preko reduktora.

**KARAKTERISTIKE:**

Radna temperatura.....do 300°C;

Radni tlak.....do 10 bar;

Brtvljenje osovine sa brtvenom pletenicom ili sa osovinskom radialnom brtvom na bazi PTFE.

**MATERIJAL IZRADE:**

Tijelo pumpe i poklopci.....nodularni lijev;

Osovine i zupčanici.....ugljični čelik;

Ležaji.....Al bronca.

Gear pumps type PZG are horizontal pumps with exterior indented gears. The shafts are supported with the bearing bushes and lubricated by transported medium. PZG pumps are intended for pumping non-aggressive, self-lubricating media. PZG pumps are assigned for those media that must be heated, for example: heavy fuel oil, bitumen,.... The covers of the pumps are designed with heating chambers. Heating can be performed by steam, hot water or by thermal oil. All pumps are provided with safety valve which is adjusted to value 1.2x higher than working pressure. Pumps are standardly driven by el. motors or reducers.

**PUMPS CHARACTERISTICS:**

Working temperature.....up to 300°C;

Working pressure.....up to 10 bar;

Sealing of the shaft.....by soft seal or special PTFE lip seals.

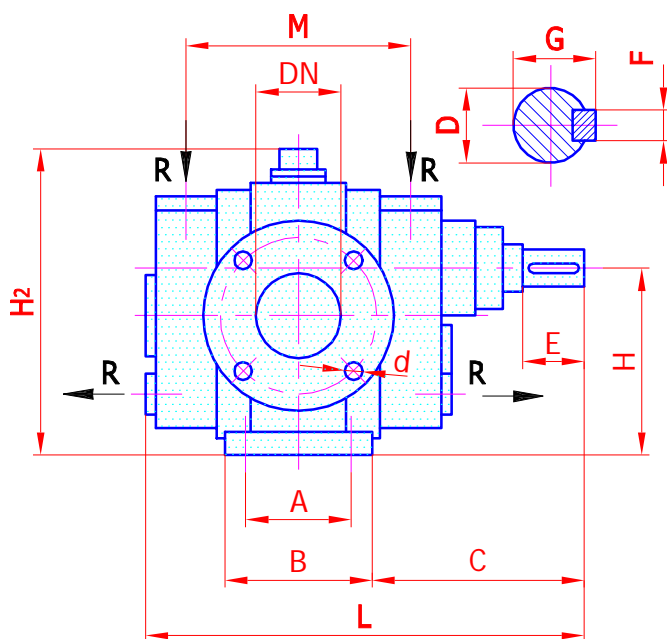
**CONSTRUCTIVE MATERIALS:**

Pump casing and covers.....nodular cast iron;

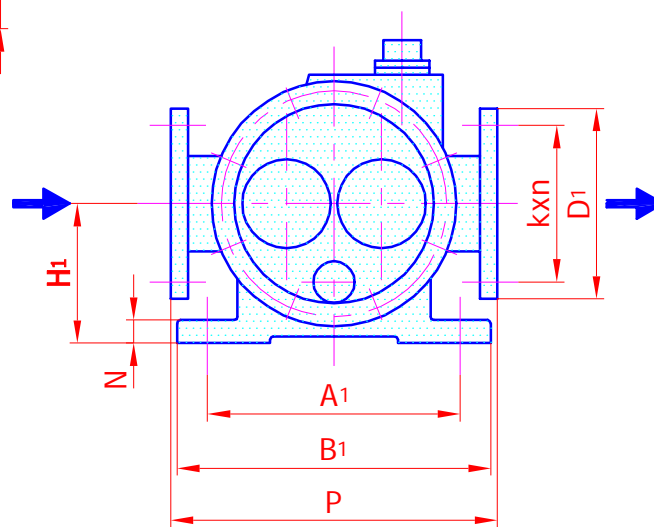
Gears and shafts.....carbon steel;

Bearing bushes.....Al bronze.

**MJERNA SKICA PUMPE**  
Pump dimension scheme



**R- G3/4 - PRIKLJUČCI ZA GRIJANJE**  
Heating connections



TIP Type	A	A <sub>1</sub>	B	B <sub>1</sub>	C	D	E	F	G	H	H <sub>1</sub>	H <sub>2</sub>	L	M	N	P	d <sub>1</sub>	PRIRUBNICA Flange					MASA Mass kg
																		DN	D <sub>1</sub>	k	n	d	
PZG-65	105	240	145	280	207	38	60	10	41.3	180	135	318	433	210	24	300	14	65	185	145	4	18	110
PZG-125	180	330	230	380	265	48	80	14	51.5	255	187	447	605	332	34	420	18	125	250	210	8	18	190

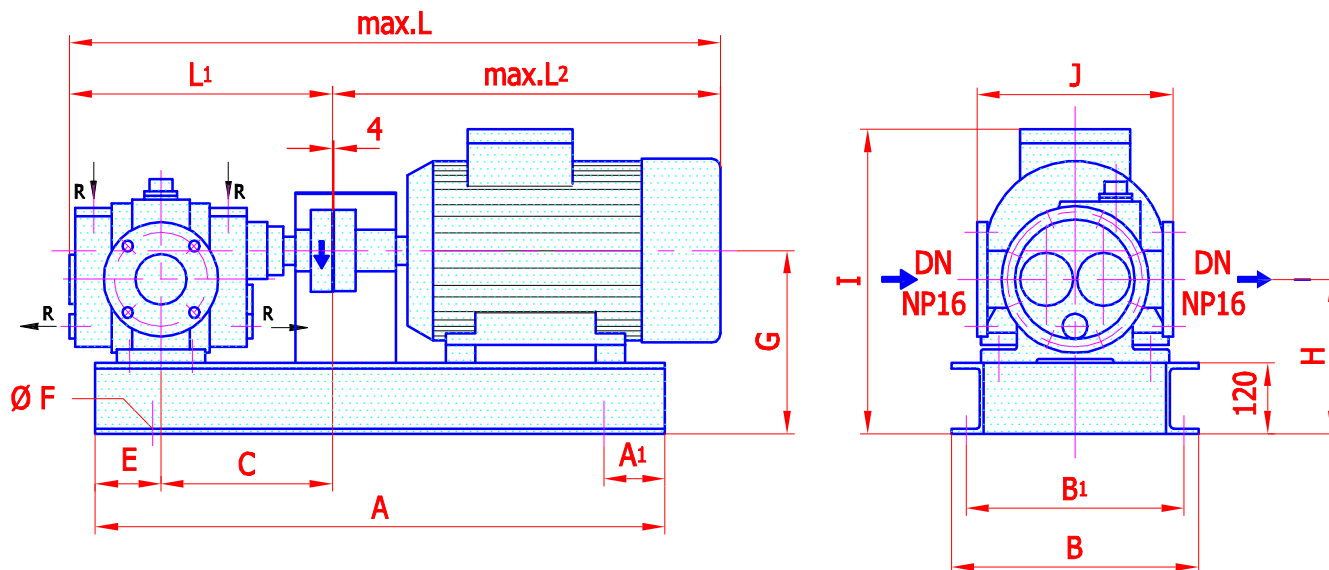
Mjere u mm / Dimensions in mm.

**TABELARNI PREGLED RADNIH KARAKTERISTIKA**

TIP AGREGATA Unit type	Q * l / min.	p bar	P kW	n o / min.	MASA/ Mass kg
PZG - 65 / 160 MB-8	264	5	5.5	710	290
PZG - 65 / 160 L-8	250	10	7.5	720	310
PZG - 65 / 160 M-6	355	5	7.5	965	295
PZG - 65 / 160 L-6	340	10	11	965	315
PZG - 125 / 200 L-8	836	4	15	735	530
PZG - 125 / 225 M-8	790	8	22	735	607
PZG - 125 / 200 L-6	1120	4	18.5	985	520
PZG - 125 / 225 M-6	1070	8	30	985	595

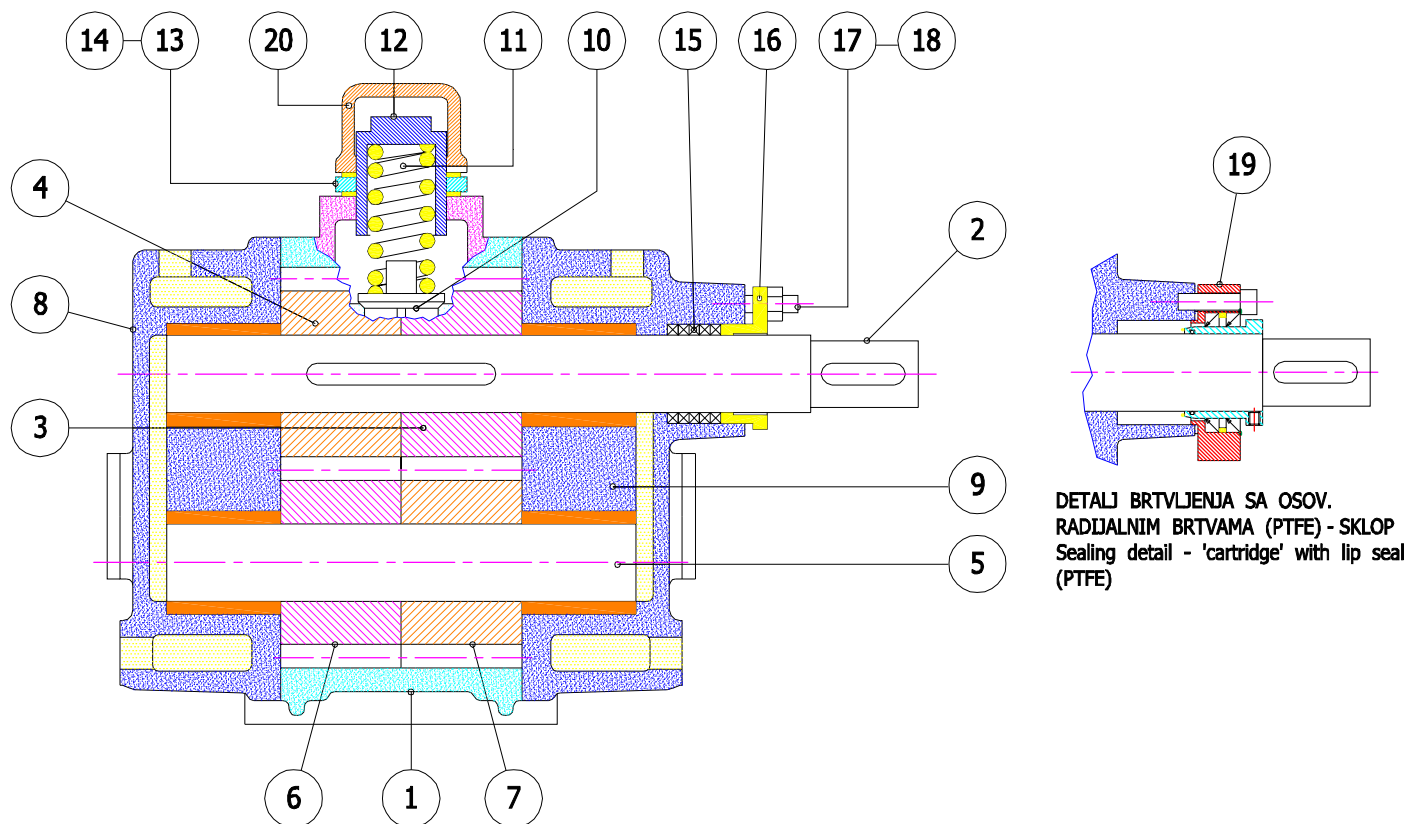
\* ZA VISKOZITET 230 cSt / for viscosity of 230 cSt

**MJERNA SKICA AGREGATA**  
 Unit dimension scheme



TIP AGREGATA Unit type	A	A <sub>1</sub>	B	B <sub>1</sub>	C	DN	E	F	G	H	I	J	L	L <sub>1</sub>	L <sub>2</sub>
PZG - 65 / 160*	1000	50	430	380	280	65	100	18	300	255	520	300	1080	433	642
PZG - 125 / 200*	1400	100	620	565	380	125	140	18	375	307	730	420	1400	605	790
745											1475		865		

Mjere u mm / Dimensions in mm; \* Veličina elektromotora/ El. motor size.



Poz. / Items	Naziv	Name
01	Kućište	Casing
02	Pogonska osovina	Main shaft
03	Pogonski zupčanik	Main gear
04	Pogonski zupčanik	Main gear
05	Gonjena osovina	Idle shaft
06	Gonjeni zupčanik	Idle gear
07	Gonjeni zupčanik	Idle gear
08	Stražnji poklopac	Back cover
09	Prednji poklopac	Front cover
10	Klip	Piston
11	Opruga	Spring
12	Vijak regulatora	Regulating screw
13	Matica	Nut
14	Brtva	Gasket
15	Brtvena pletenica	Soft seal
16	Zaptivni prsten	Gland
17	Svorni vijak	Bolt
18	Matica	Nut
19	Osov. rad. brtva - sklop	'Cartridge' with lip seal
20	Poklopac	Cover

OZNAČAVANJE:  
Denomination:

PZG-XX X X  
 D-desni smjer  
 right sense of rotation  
 S-sa osov. radijalnom brtvom  
 'cartridge' with lip seal  
 65, 125-veličina pumpe  
 pump size